

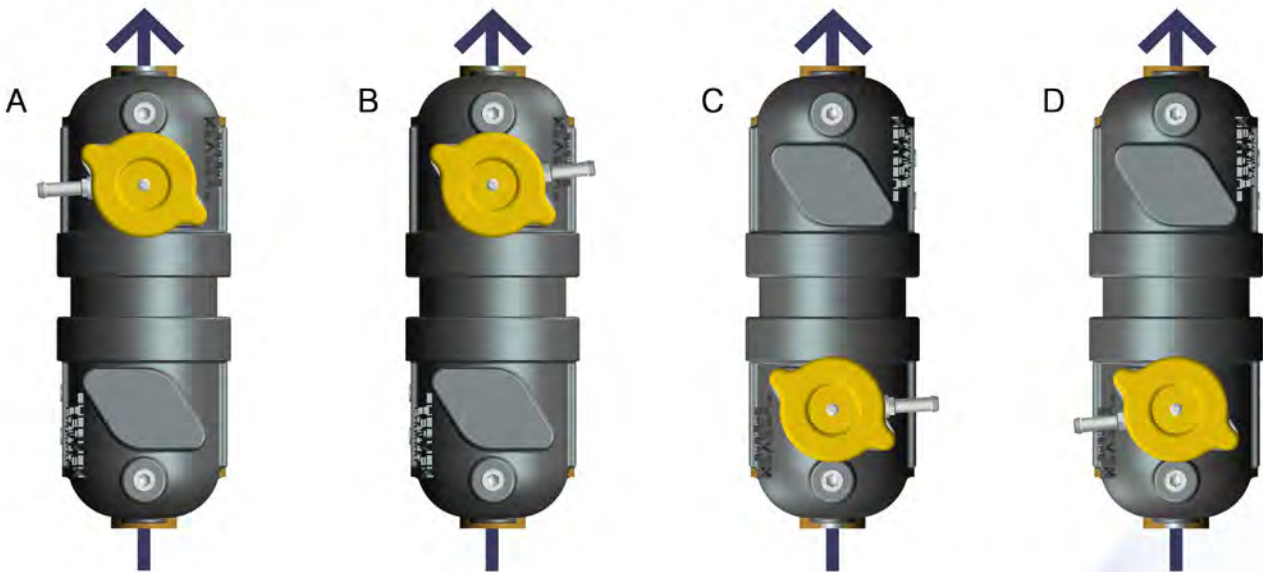
Thermex Header Tank Heat Exchangers are one of the most flexible and easily adaptable products on the market.

The part number consists of eight digits, each representing a specific feature of the size and specification of the header tank heat exchanger.

Series	Digit 3 Length	Digit 4 Application	Digit 5 Coolant Passes	Digit 6 Coolant Connection Size
H3	1	M - Marine	1 - Single	S - Standard
H5	2	L - Land	2 - Double	L Large
	3		3 - Triple	
	4			
	5			
	6			

Digit 7 - Filler Neck Position

(Arrow represents coolant flow direction)

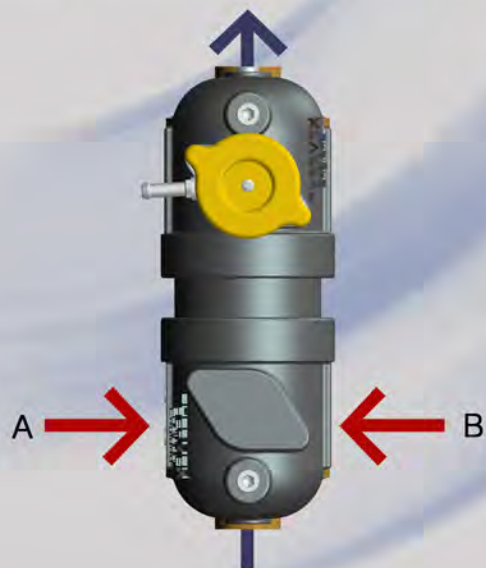


Digit 8 - Engine Water Inlet Position

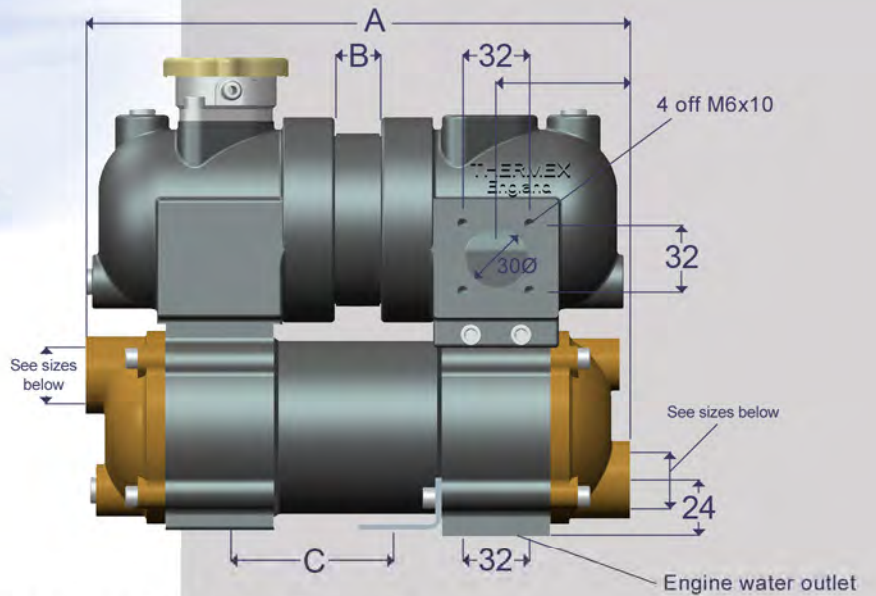
Blue Arrow represents coolant flow direction
Red Arrow represents engine water flow inlet

Your final part number should look similar to the example below;

H31M-3SAA



H3 Series



Dimensions above are for a standard 3 pass unit
All dimensions in mm unless otherwise specified

Series No.	A (mm)	B (mm)	C (mm)	Weight (kg)	Engine Water Vol (L)	Header Tank Vol (L)	Coolant Water Vol (L)
H31	259	21	76	6	0.5	1.0	0.5
H32	345	107	162	7	0.7	1.4	0.6
H33	443	205	260	7.5	1.0	1.8	0.7
H34	571	333	388	8.5	1.3	2.4	0.9
H35	717	479	534	10	1.7	3.0	1.1
H36	895	657	712	11	2.2	3.4	1.4

Maximum Working Temperature	Standard - 100°C High temperature versions available upon request
Maximum Working Engine Water Pressure	Standard Specification - 1 Bar
Maximum Working Coolant Water Pressure	Standard Specification - 10 Bar

Coolant Flow 1 - Single Pass



Standard Connection (S)	1.5" BSP
Large Connection (L)	2" BSP
Minimum Sea Water Flow Rate	1 pass cooler - 60 L/min
Maximum Sea Water Flow Rate	1 pass cooler - 135 L/min

Coolant Flow 2 - Double Pass



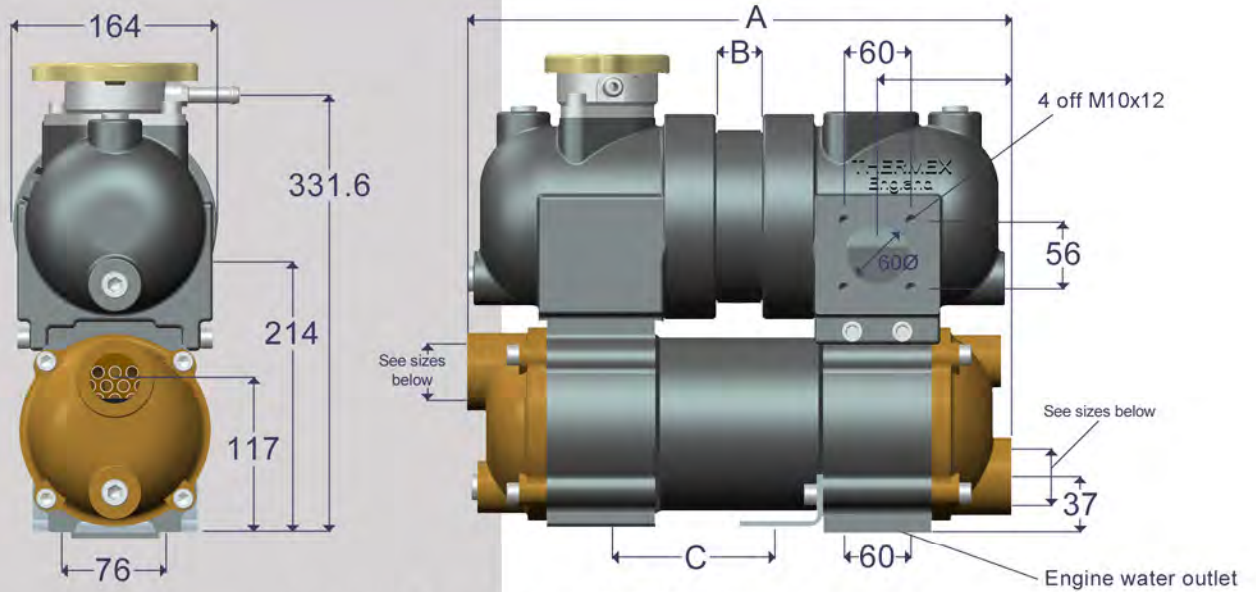
Standard Connection (S)	1/2" BSP
Large Connection (L)	3/4" BSP
Minimum Sea Water Flow Rate	1 pass cooler - 40 L/min
Maximum Sea Water Flow Rate	1 pass cooler - 90 L/min

Coolant Flow 3 - Triple Pass



Standard Connection (S)	1/2" BSP
Large Connection (L)	3/4" BSP
Minimum Sea Water Flow Rate	1 pass cooler - 20 L/min
Maximum Sea Water Flow Rate	1 pass cooler - 45 L/min

H5 Series



Dimensions above are for a standard 3 pass unit
All dimensions in mm unless otherwise specified

Series No.	A (mm)	B (mm)	C (mm)	Weight (kg)	Engine Water Vol (L)	Header Tank Vol (L)	Coolant Water Vol (L)
H51	377	53	116	16.5	1.9	4.2	1.7
H52	475	151	214	18	2.5	5.4	2.1
H53	603	279	342	20	3.5	6.9	2.6
H54	749	425	488	23.5	4.5	8.7	3.2
H55	927	603	666	27.5	5.8	10.9	3.9
H56	1129	805	868	31.5	7.3	13.4	4.8

Maximum Working Temperature	Standard - 100°C High temperature versions available upon request
Maximum Working Engine Water Pressure	Standard Specification - 1 Bar
Maximum Working Coolant Water Pressure	Standard Specification - 10 Bar

Coolant Flow 1 - Single Pass



Standard Connection (S)	1.5" BSP
Large Connection (L)	3" BSP
Minimum Sea Water Flow Rate	1 pass cooler - 150 L/min
Maximum Sea Water Flow Rate	1 pass cooler - 360 L/min

Coolant Flow 2 - Double Pass

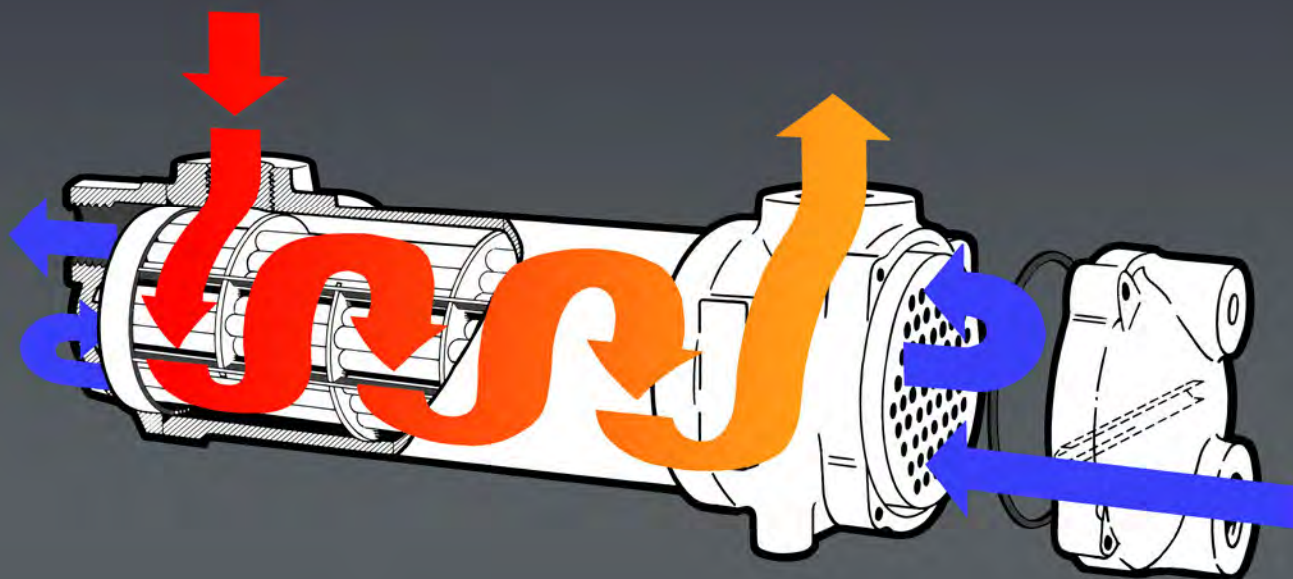


Standard Connection (S)	1" BSP
Large Connection (L)	1.5" BSP
Minimum Sea Water Flow Rate	1 pass cooler - 100 L/min
Maximum Sea Water Flow Rate	1 pass cooler - 240 L/min

Coolant Flow 3 - Triple Pass



Standard Connection (S)	1" BSP
Large Connection (L)	1.5" BSP
Minimum Sea Water Flow Rate	1 pass cooler - 50 L/min
Maximum Sea Water Flow Rate	1 pass cooler - 120 L/min



Any questions? Please contact us.

Morskate Aandrijvingen BV

Oosterveldsingel 47A
7558 PJ Hengelo (Ov)
The Netherlands

NL

T +31 (0)74 - 760 11 11
info@morskateaandrijvingen.nl
www.morskateaandrijvingen.nl

DE

T +49 692 - 222 34 95
info@morskateantriebstechnik.de
www.morskateantriebstechnik.de

EN

T +31 (0)74 - 760 11 11
info@morskatedrivetechnology.com
www.morskatedrivetechnology.com

